

RICHARDS MEMORIAL PARK COMFORT STATION

804 LAKESHORE ROAD WEST, MISSISSAUGA, ONTARIO L5H 1E5



Atria Architects
Engineers



A Presentation to Facilities Accessibility Design Standards Committee
By Atria Architects & Engineers April 2023



MISSISSAUGA

Atria Architects
Engineers

OUTLINE

Site Plan

Accessibility To The Building From The Parking Area

Signage

Access Points To Building

Accessible Washroom Details

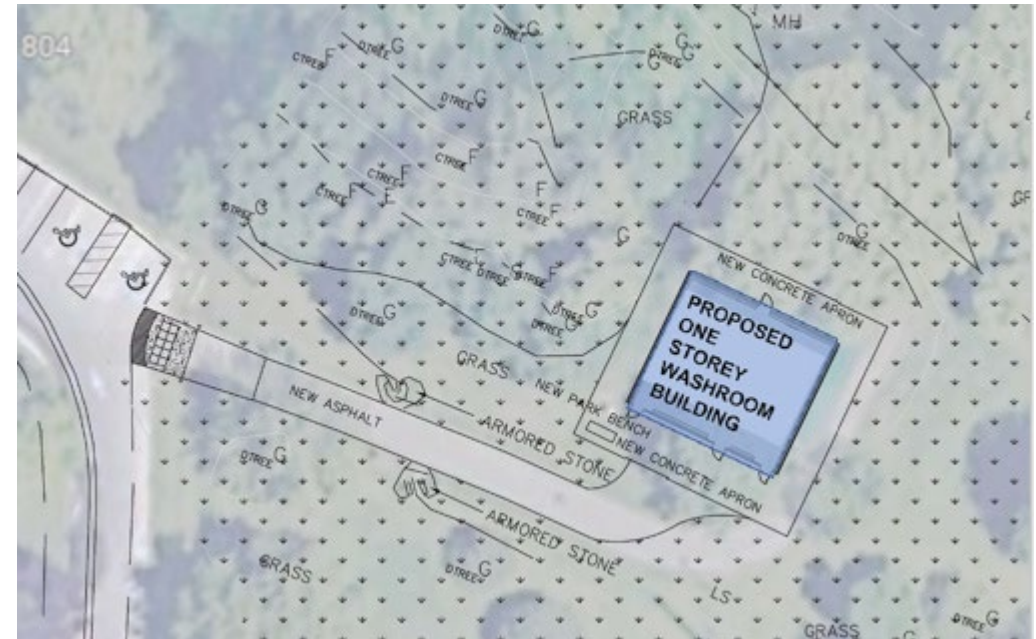
Signage Revisited

SITE PLAN AND ACCESS PATH

Existing vs. New building footprint



Distance to Accessible parking is ~40 m





P

BUILDING ACCESSIBILITY FROM THE PARKING AREA

BUILDING SURROUND EXTERIOR LAYOUT

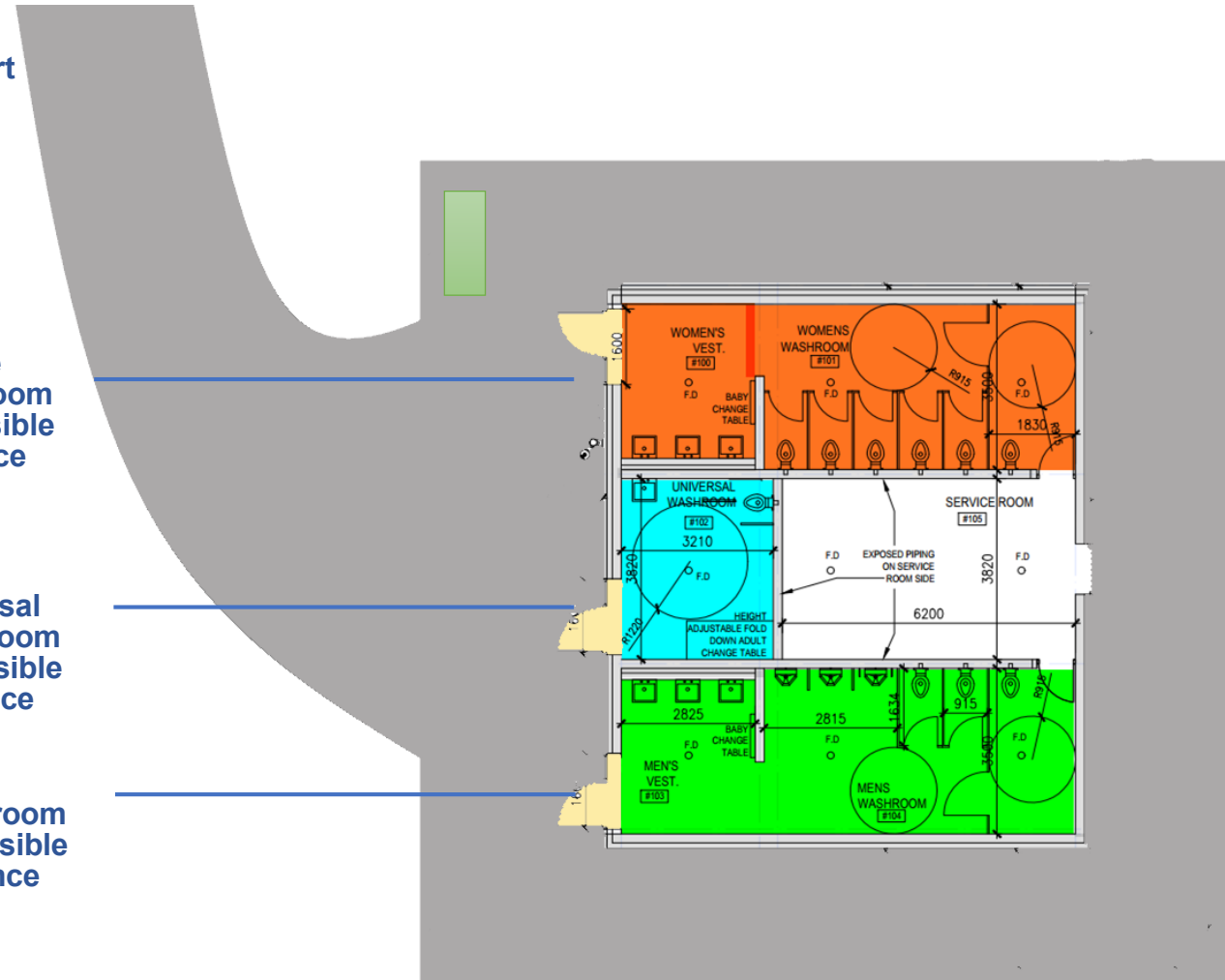
- Accessible Entrances (3)
- Exterior Concrete Apron Connects To Asphalt Walkway
- Circulation Space With
3600mm Clear Width Front
2400mm Circulation Clear
Width On 3 Sides
- Bench

Approach
To Comfort
Station

Female
Washroom
Accessible
Entrance

Universal
Washroom
Accessible
Entrance

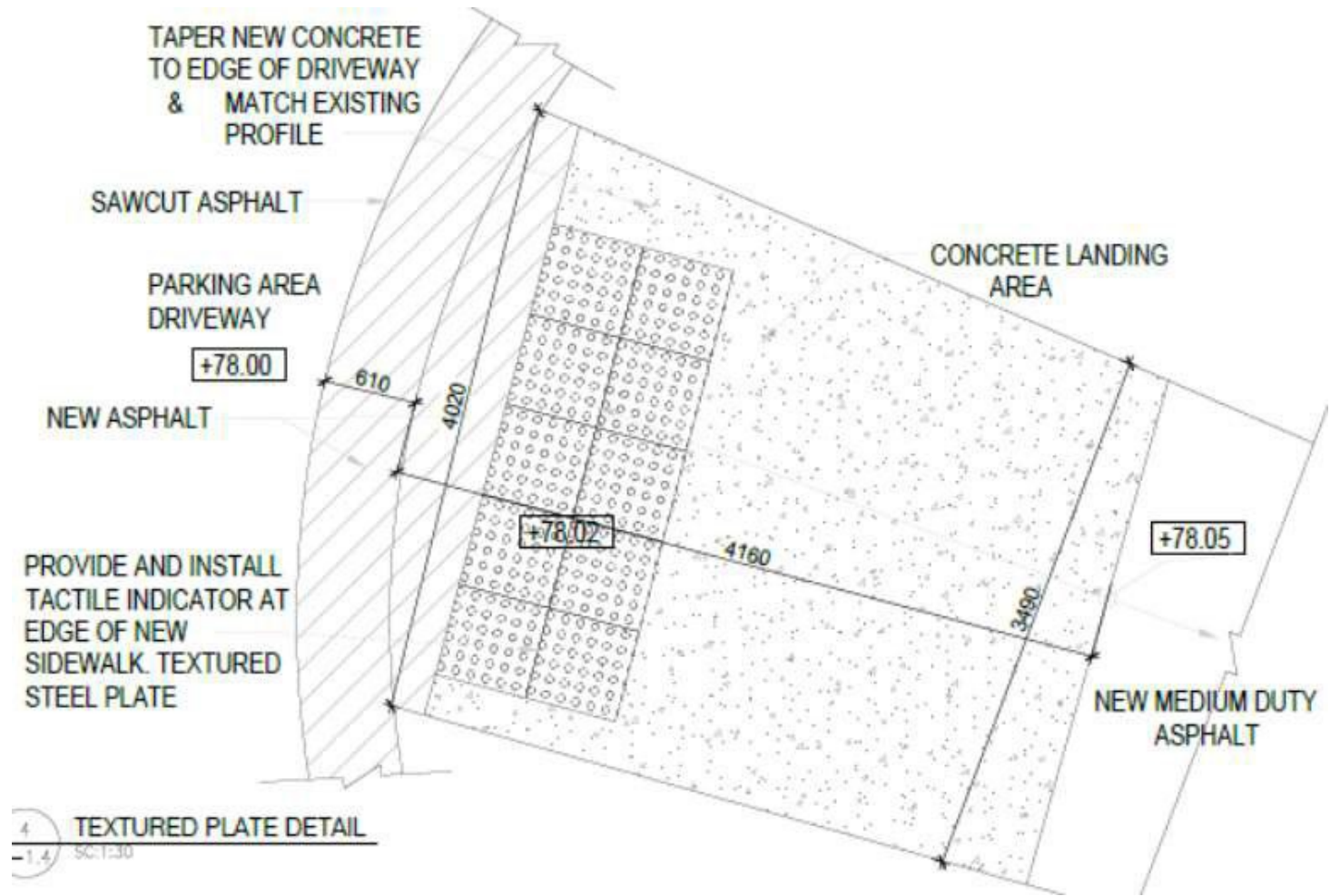
Male
Washroom
Accessible
Entrance



ACCESSIBLE ENTRANCE FROM PARKING (1 OF 5)

Ashphalt Walkway
Leading To Existing
Parking By City Of
Mississauga

Includes Proposed Tactile
Warning Indicator



ACCESSIBLE ENTRANCE FROM PARKING (2 OF 5)

Curb Ramp At Mid-
block Crossing

Source: Ontario
Provincial Standards For
Roads & Public Works

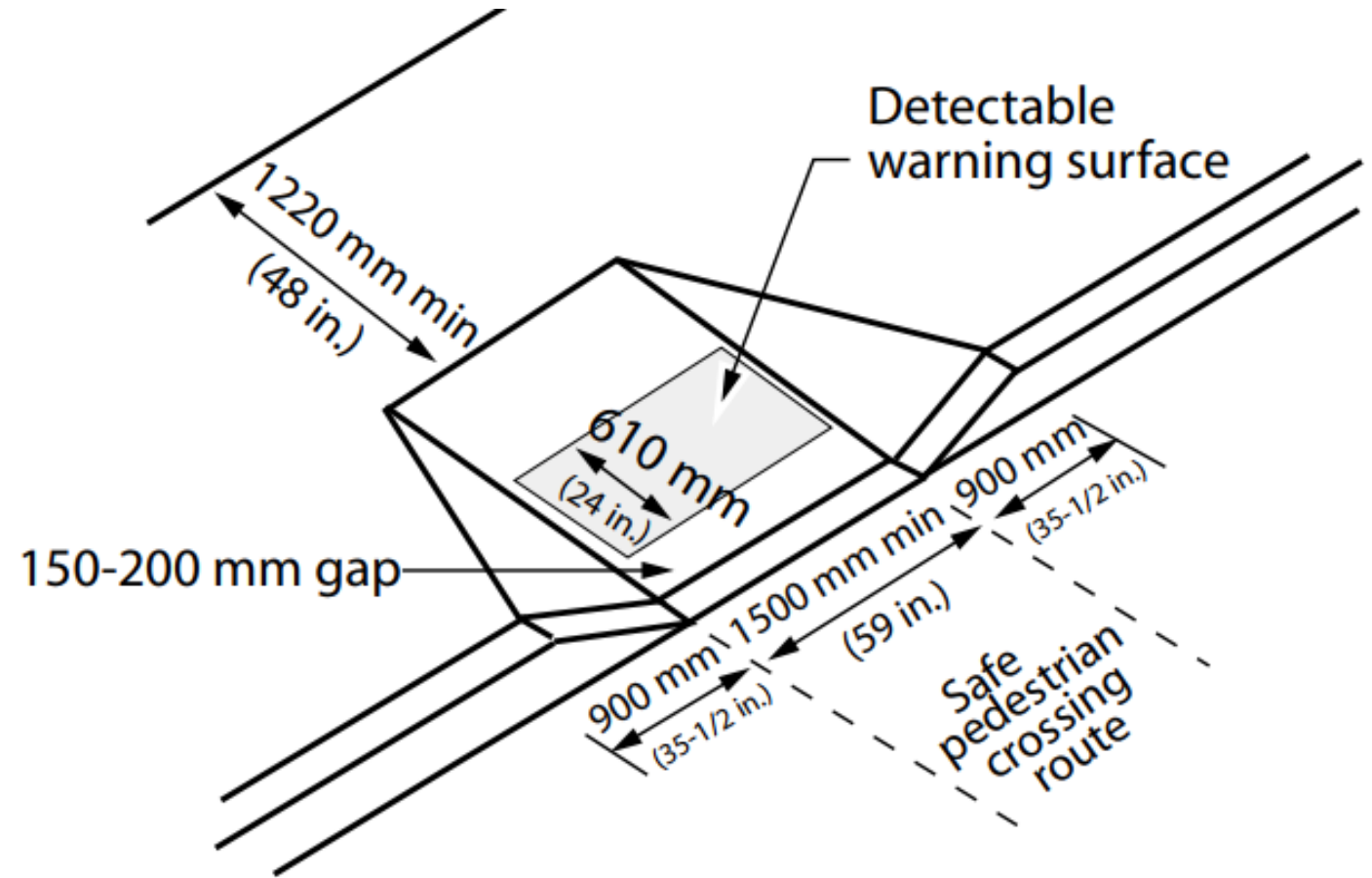


Figure 4.1.10.6

ACCESSIBLE ENTRANCE FROM PARKING 3 OF 5

Accessible Parking Signage From City Of Mississauga

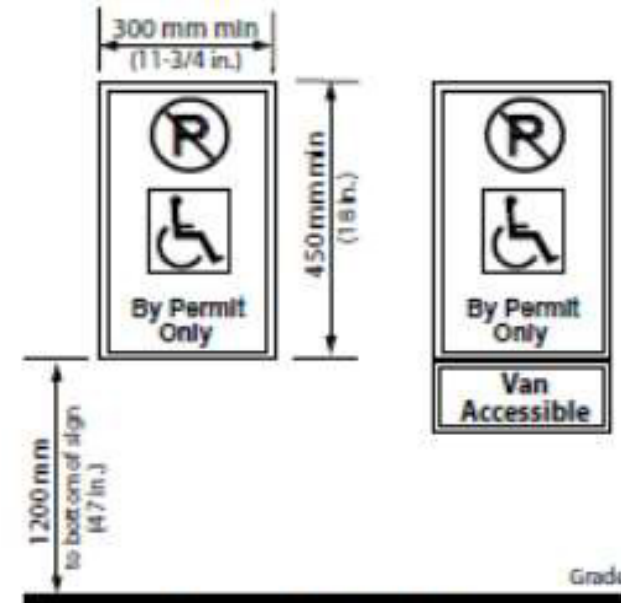


Figure 4.3.12.3
Regulatory Parking Signage

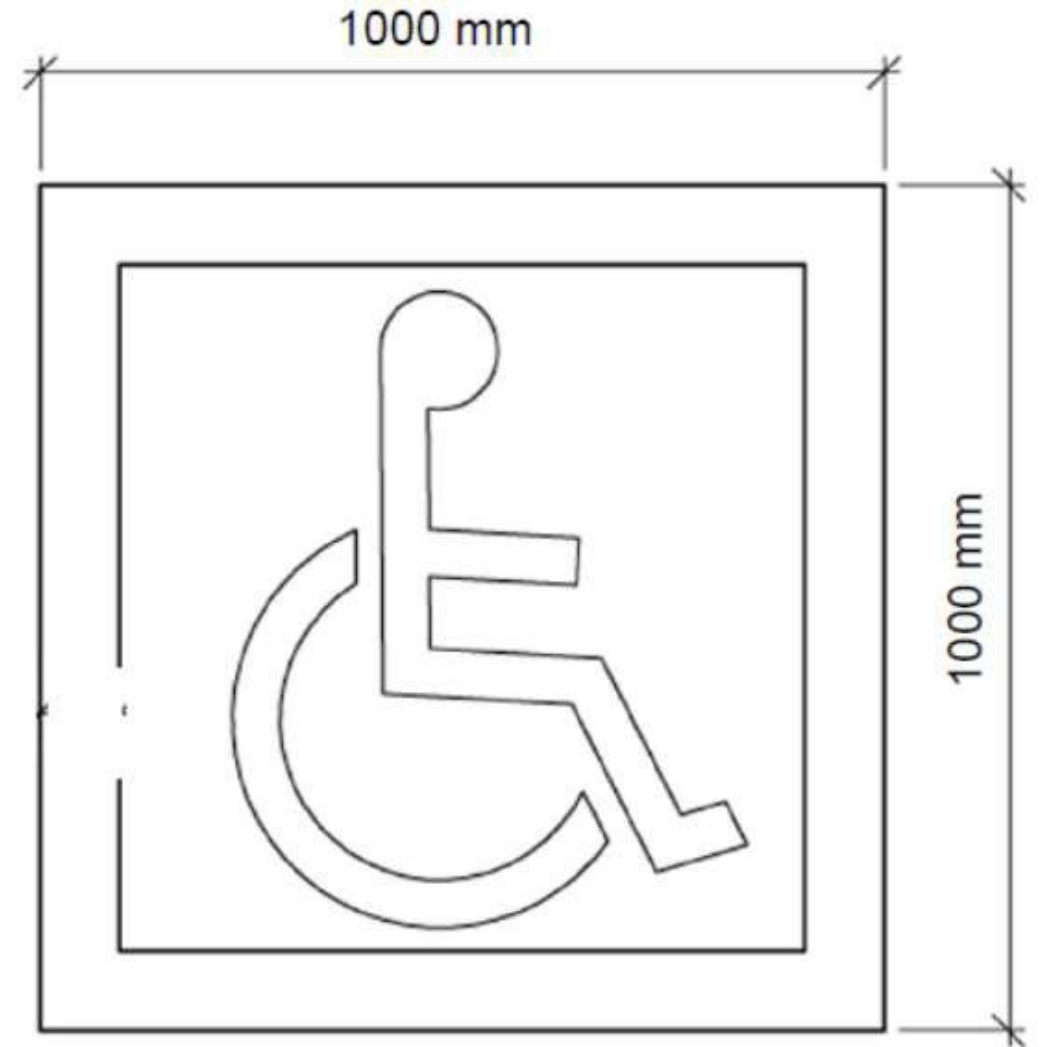


Figure 4.3.12.4
Second Accessible Parking Signage

ACCESSIBLE ENTRANCE FROM PARKING 4 OF 5

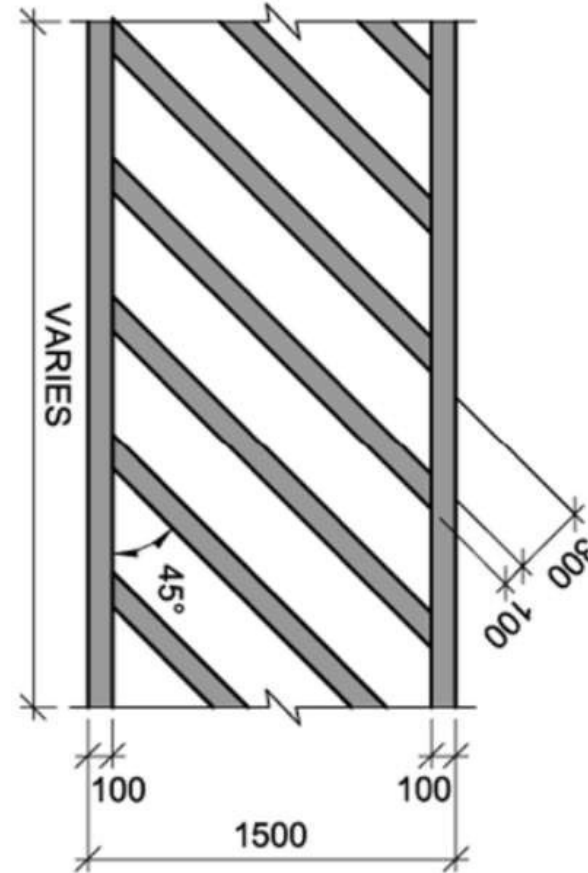
Existing Accessible
Parking Space Paving
Markings By City Of
Mississauga

BLUE BACKGROUND
WITH WHITE IMAGE



ACCESSIBLE ENTRANCE FROM PARKING 5 OF 5

Existing Accessible
Parking Space Paving
Markings By City Of
Mississauga



ACCESSIBLE AODA COMPLIANT PARKING

Existing Parking From
City Of Mississauga

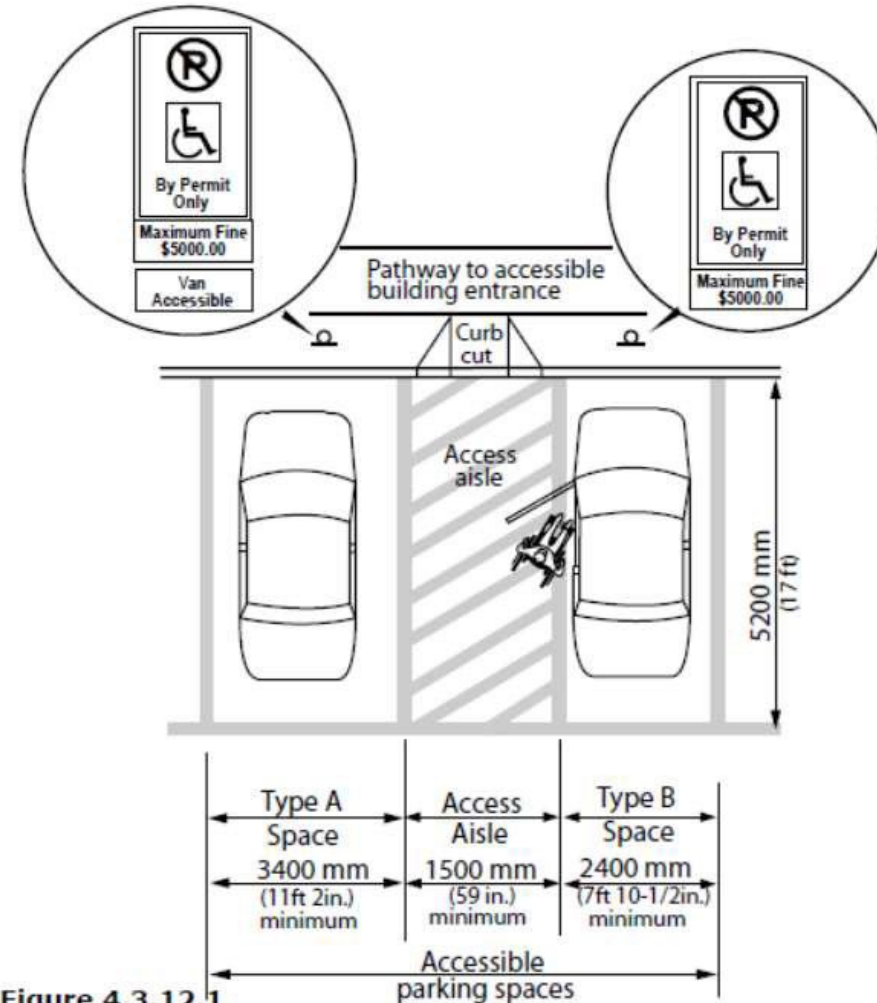


Figure 4.3.12.1
Side-by-side
Parking Space

EXTERIOR FEATURES

- Barrier Free Push Buttons
- Wheelchair Charging Station
- Drinking Area For Service Animals
- Signage To City Standards





A WELCOMING COMFORT STATION FOR ALL

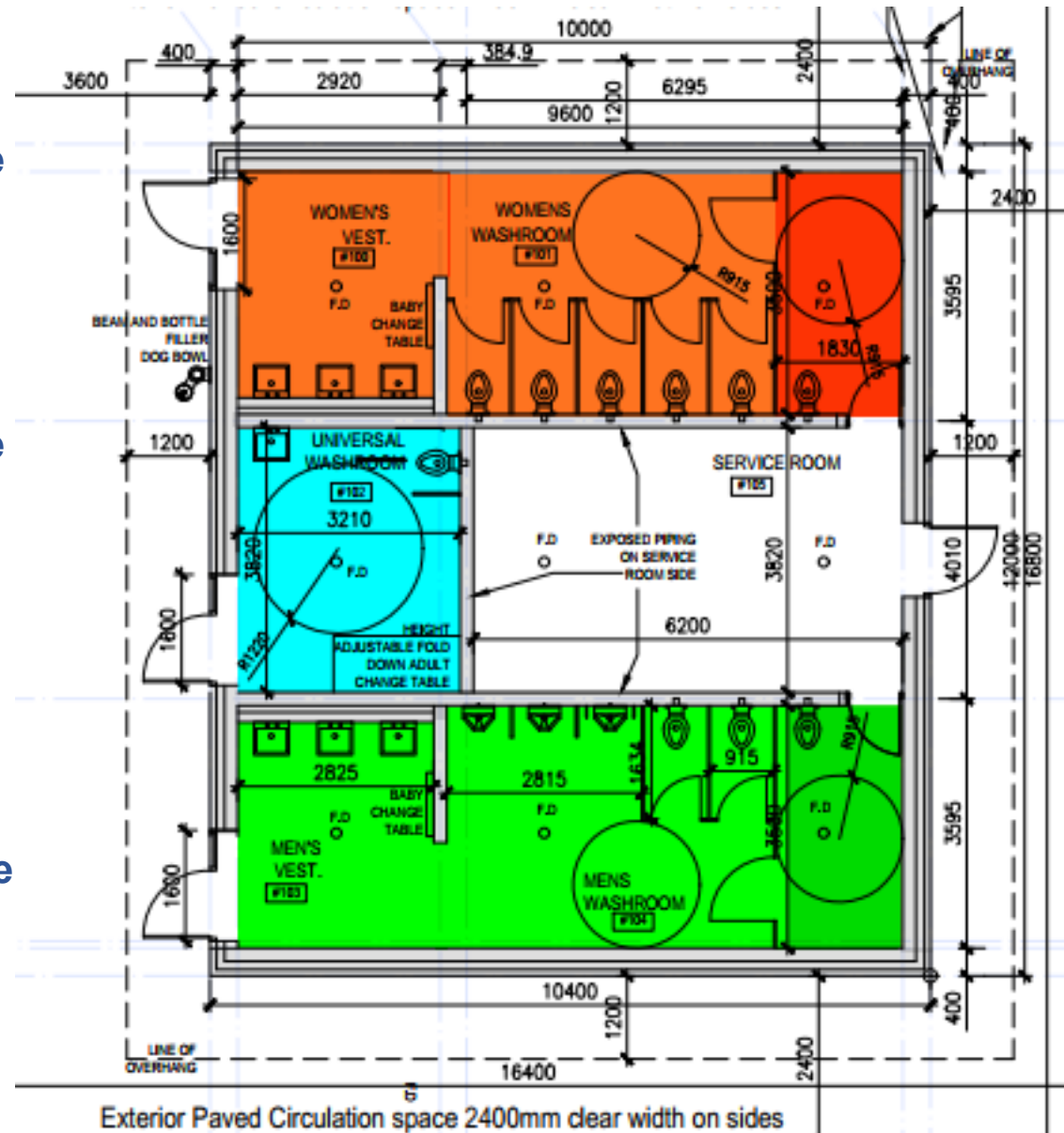
PROPOSED FLOOR PLAN

- Two Ambulatory and Two Accessible Stalls
- Universal Washroom
- Interior Floor Finish In Washroom To Be Epoxy Coated Concrete With Contrasting Colour Epoxy Base

Accessible Entrance
Women's

Accessible Entrance
Universal
With Adult
Change
Table

Accessible Entrance
Men's



ACCESSIBLE WASHROOM DETAILS (1 OF 3)

- Reach Range For Accessible Controls
- Emergency Call Switch
- Grab Bars
- Hand Dryer
- Receptacles
- Toilet Paper Dispenser
- Collapsible Coat Hook

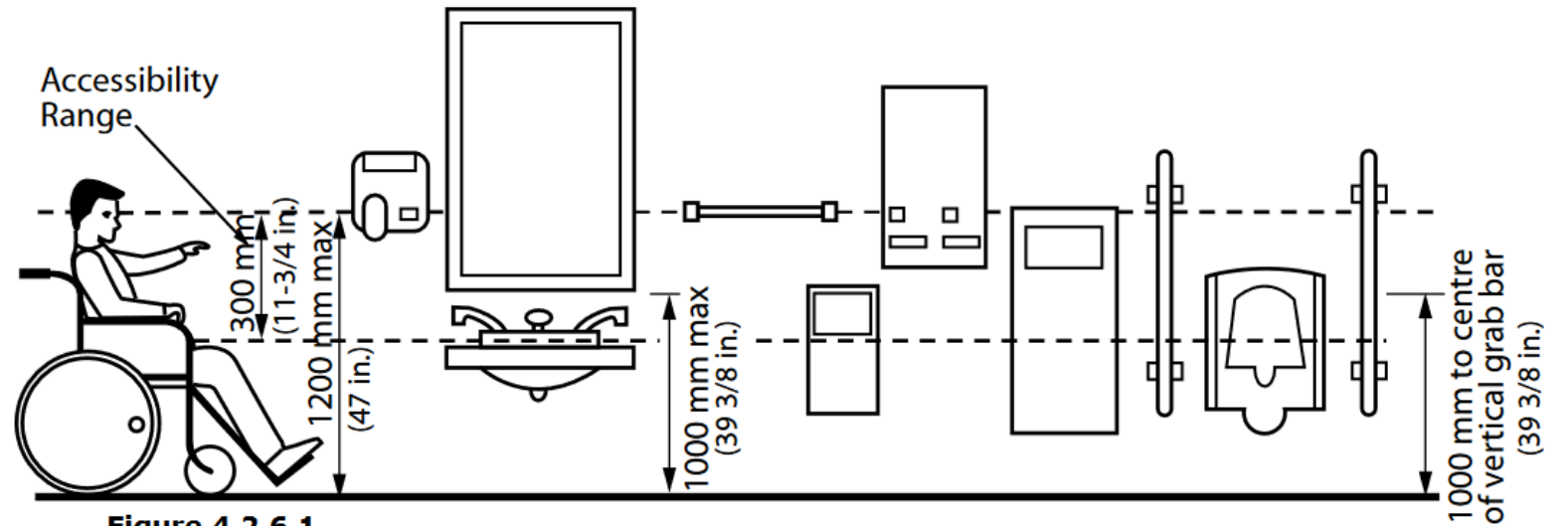
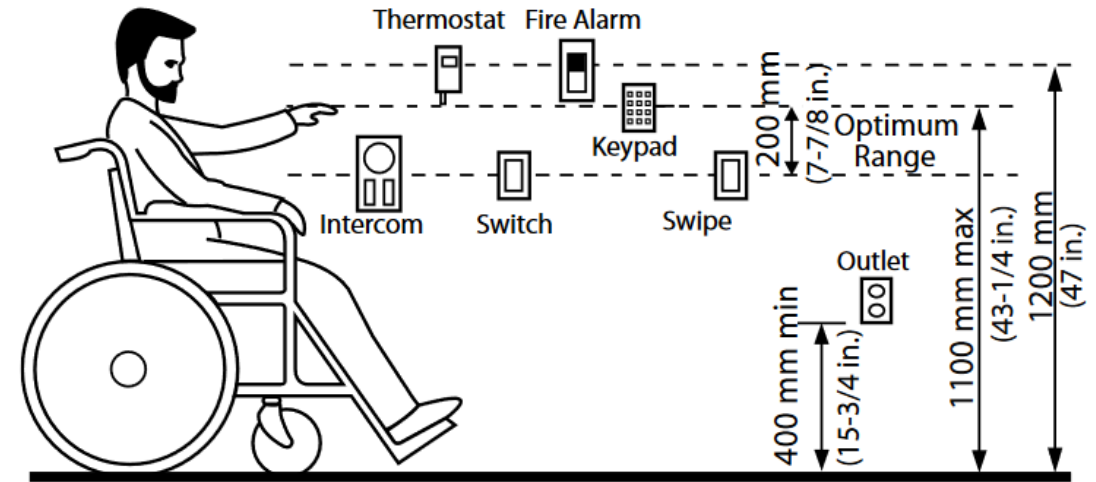
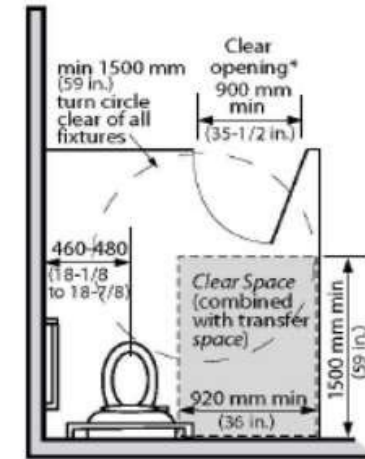
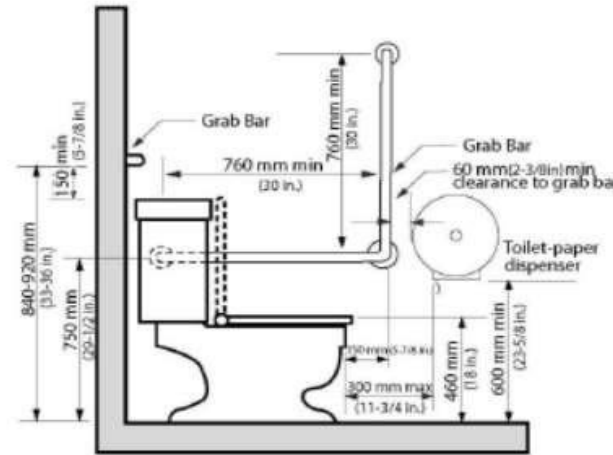
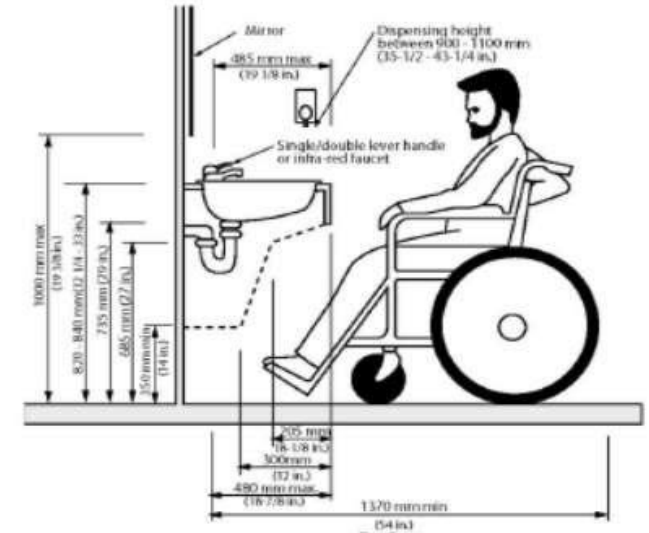
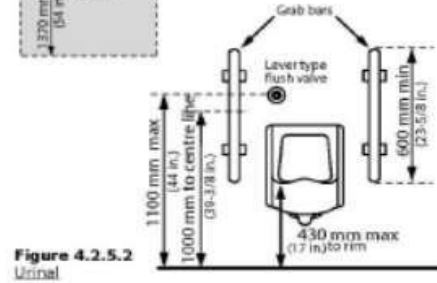
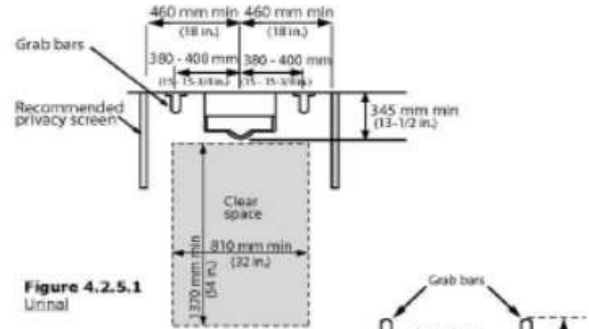


Figure 4.2.6.1
Washroom Accessories

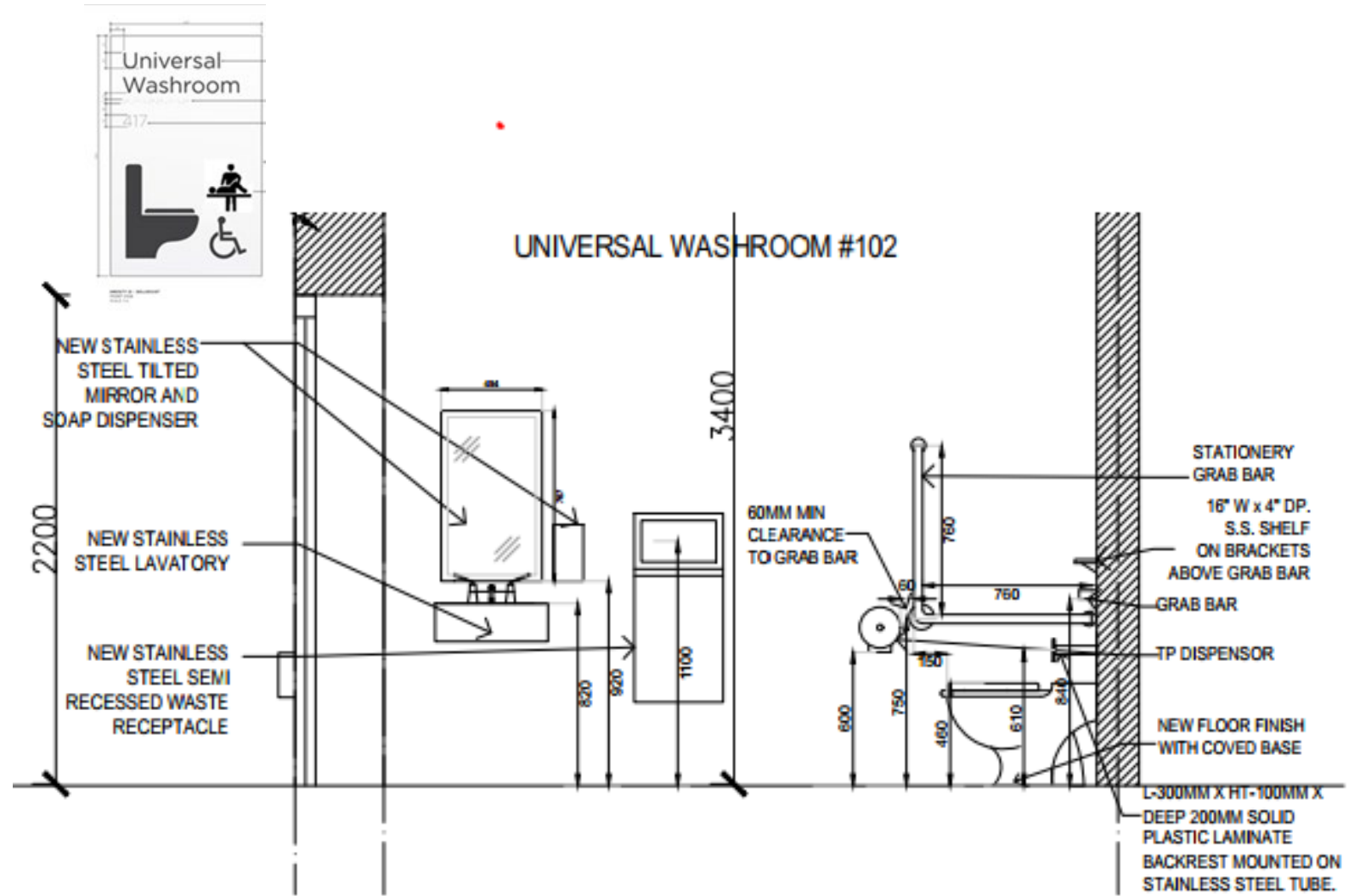
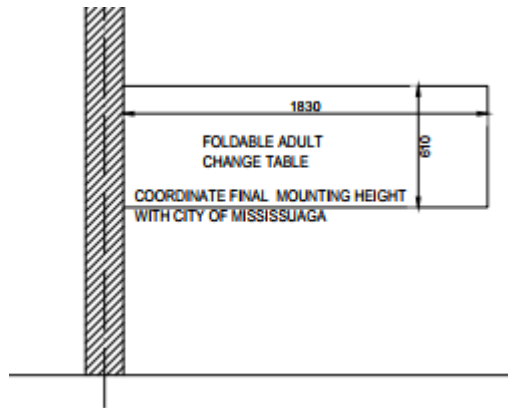
ACCESSIBLE WASHROOM DETAILS (2 OF 3)

- Grab Bars
- Vertical Grab Bars
- L-shaped Grab Bars
- Sensor Flush Valve
- Sensor Lighting
- Toilet Paper Dispenser

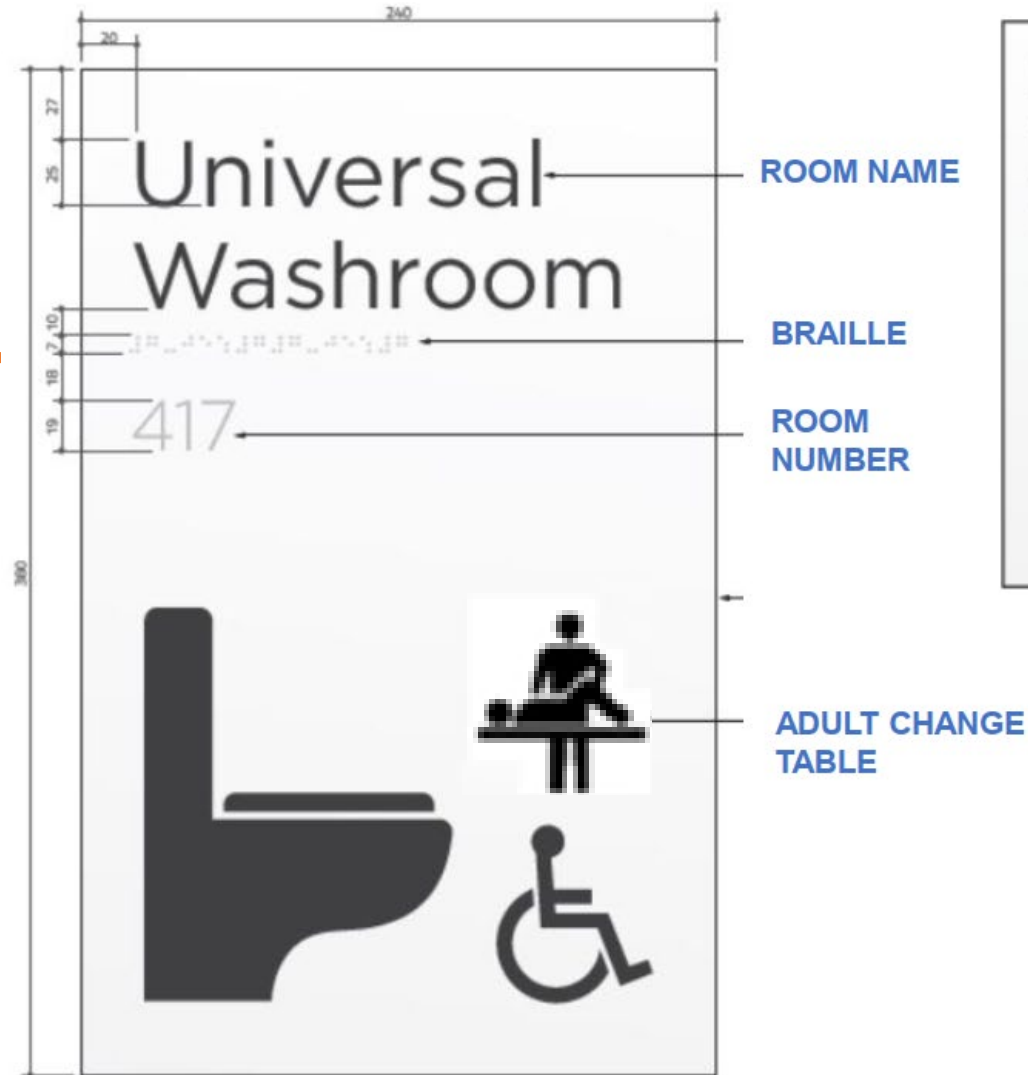


ACCESSIBLE WASHROOM DETAILS (3 OF 3)

- Adult Change Table



SIGNAGE





Thank you



MISSISSAUGA

Atria Architects
Engineers