

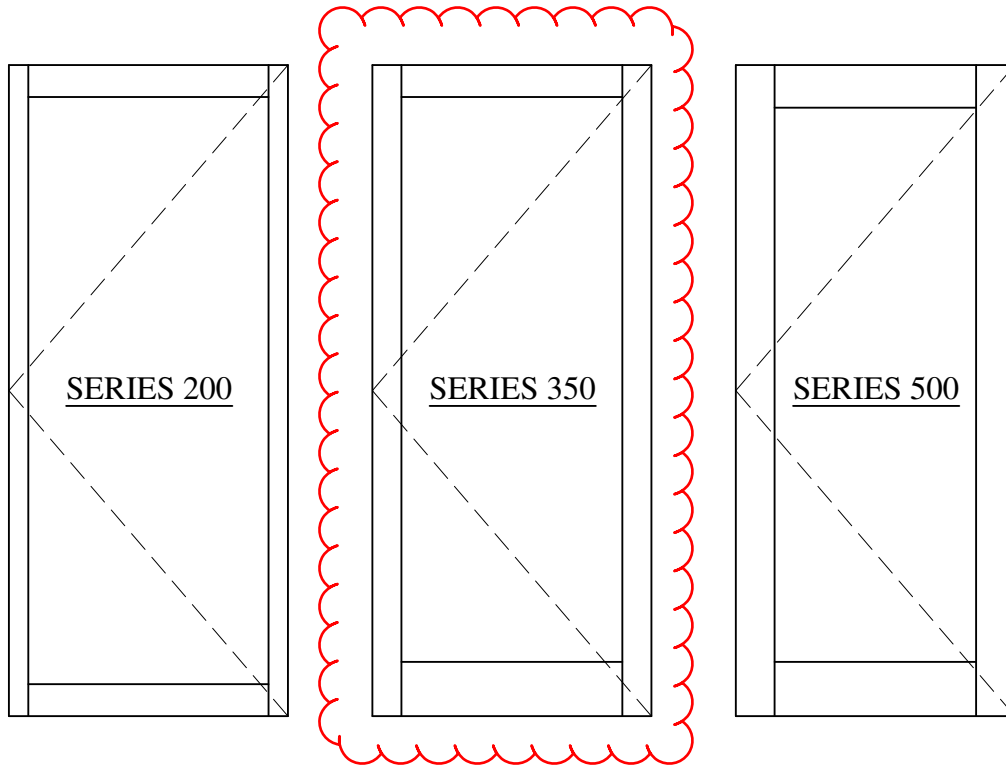
SUMMARY OF PROPOSED WORK

242 QUEEN ST. SOUTH, MISSISSAUGA, ON

Proposed Scope: Removal of Existing Wood Doors and Replacement with New Aluminum Storefront Doors

- Windspec Series 350 Medium Stile Entrance Pair to replace the existing pair Include:
- Removal and disposal of existing doors
- Clad existing wood oversize wood frame
- New Door Adaptor frame w/ mohair blade stop
- Pemko Mortise Continuous hinges
- AR Deadlock - TT in & Keyed Cylinder out
- Flushbolts on inactive leaf
- 60" Ladder Pulls
- LCN4040XP HD Closer - non ADO leaf
- Deluxe Mohai Sweeps
- Aluminum & Hardware finish is blackanodized
- Glazing is 6mm clear tempered and low-E x 1" OA Insulated glass

STANDARD DOOR



KEY FEATURES

- 1 $\frac{3}{4}$ " door depth
- Accommodates $\frac{1}{4}$ ", $\frac{3}{8}$ " or 1" glazing units
- 2", 3 $\frac{1}{2}$ " and 5" stiles available
- Multiple top/bottom/mid-rails available
- Available in anodized and painted finishes
- Standard custom hardware available



WINDSPEC INC.

MANUFACTURERS OF HIGH PERFORMANCE 'WINDSPEC' WINDOWS
ALUMINUM ENTRANCE SYSTEMS AND ARCHITECTURAL PANELS
1310 CREDITSTONE RD, CONCORD, ONTARIO L4K 5T7
Telephone (905) 738 -8311 Fax (905) 738 - 6188

OCTOBER 2017

STANDARD DOOR

TABLE OF CONTENTS

DOOR ORDERING INFORMATION _____	003
GLAZING INFILL OPTIONS _____	004
STANDARD HARDWARE LOCATIONS _____	006
DOOR HANDING DESIGNATION _____	007
NARROW STILE IN HTP 5500 _____	008
MEDIUM STILE IN HTP 5500 _____	010
WIDE STILE IN HTP 5500 _____	012
NARROW STILE IN 655 FRAMING _____	014
MEDIUM STILE IN 655 FRAMING _____	016
WIDE STILE IN 655 FRAMING _____	018
SINGLE GLAZED DOOR IN INTERIOR FRAMING _____	020
TOP RAILS, MID-RAIS & BOTTOM RAILS _____	022



WINDSPEC INC.

MANUFACTURERS OF HIGH PERFORMANCE 'WINDSPEC' WINDOWS
ALUMINUM ENTRANCE SYSTEMS AND ARCHITECTURAL PANELS
1310 CREDITSTONE RD, CONCORD, ONTARIO L4K 5T7
Telephone (905) 738 -8311 Fax (905) 738 - 6188

OCTOBER 2017

STANDARD DOOR

DOOR ORDERING INFORMATION

Standard Hardware

- 3 Butt hinges (NRP) - 4 $\frac{1}{2}$ " x 4"
 - Stainless steel for exterior doors
 - Standard steel for interior doors
- M.S. Lock (Adams Rite 1850)
 - Thumb turn
 - Cylinder
- Pair to have flush bolts on in-active
- Push bar / pull handle
- 4" threshold
- Door sweep

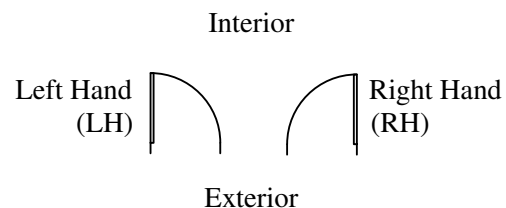
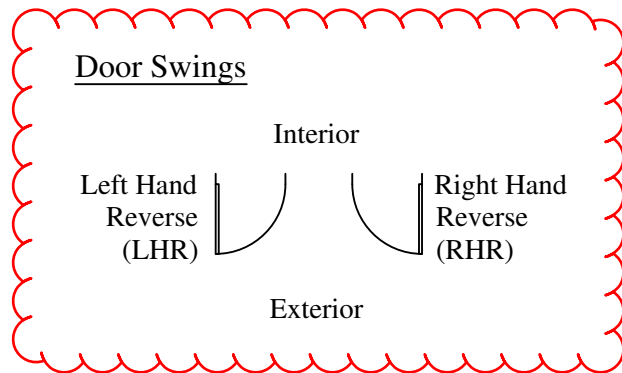
Standard Door Opening Size

- Door opening for single door is 36" x 84"
- Door opening for pair door is 72" x 84"
- Actual door size will be smaller to allow for clearances

Standard Finishes

- Standard anodized doors:
 - Clear 0.0004 and #40 Bronze are typically stocked
 - Light bronze, champagne and black anodized are available
- Custom painted finishes are available

Door Swings







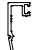

WINDSPEC INC.

MANUFACTURERS OF HIGH PERFORMANCE 'WINDSPEC' WINDOWS
ALUMINUM ENTRANCE SYSTEMS AND ARCHITECTURAL PANELS
1310 CREDITSTONE RD, CONCORD, ONTARIO L4K 5T7
Telephone (905) 738 -8311 Fax (905) 738 - 6188

OCTOBER 2017

STANDARD DOOR

GLAZING INFILL OPTIONS

Glazing Options	Exterior Glass Stop	Interior Glass Stop
1" Glazing (Double Glazed)	 C-20027	 C-20027
$\frac{1}{4}$ " Glazing (Single Glazed)	 C-20026	 C-20026
$\frac{3}{8}$ " Glazing	 C-20019	 C-20019

GLASS SIZE CALCULATION

Based on butt hinges at 1/2" threshold

Door Type	Glass W	Glass H	Standard Glass Size (36" x 84")
<u>200 Single</u> (2" Stile, 2 $\frac{3}{8}$ " Top, 4 $\frac{1}{8}$ " Bottom Rail)	-4 $\frac{11}{16}$ "	-7 $\frac{13}{16}$ "	31 $\frac{5}{16}$ " x 76 $\frac{3}{16}$ "
<u>200 Pair</u> (2" Stile, 2 $\frac{3}{8}$ " Top, 4 $\frac{1}{8}$ " Bottom Rail)	2 x -4 $\frac{11}{16}$ "	-7 $\frac{13}{16}$ "	2 @ 31 $\frac{5}{16}$ " x 76 $\frac{3}{16}$ "



WINDSPEC INC.

MANUFACTURERS OF HIGH PERFORMANCE 'WINDSPEC' WINDOWS
ALUMINUM ENTRANCE SYSTEMS AND ARCHITECTURAL PANELS
1310 CREDITSTONE RD, CONCORD, ONTARIO L4K 5T7
Telephone (905) 738 -8311 Fax (905) 738 - 6188

OCTOBER 2017

STANDARD DOOR

GLAZING INFILL OPTIONS

Door Type	Glass W	Glass H	Standard Glass Size (36" x 84")
<u>350 Single</u> (3 ½" Stile, 4 ⅛" Top, 7" Bottom Rail)	-7 ⅙"	-12 ⅞"	28 ⅝" x 71 ⅙"
<u>350 Pair</u> (3 ½" Stile, 4 ⅛" Top, 7" Bottom Rail)	2 x -7 ⅙"	-12 ⅞"	2 @ 28 ⅝" x 71 ⅙"
<u>500 Single</u> (5" Stile, 5 ½" Top, 7" Bottom Rail)	-10 ⅙"	-13 ⅙"	25 ⅝" x 70 ⅜"
<u>500 Pair</u> (5" Stile, 5 ½" Top, 7" Bottom Rail)	2 x -10 ⅙"	-13 ⅙"	2 @ 25 ⅝" x 70 ⅜"



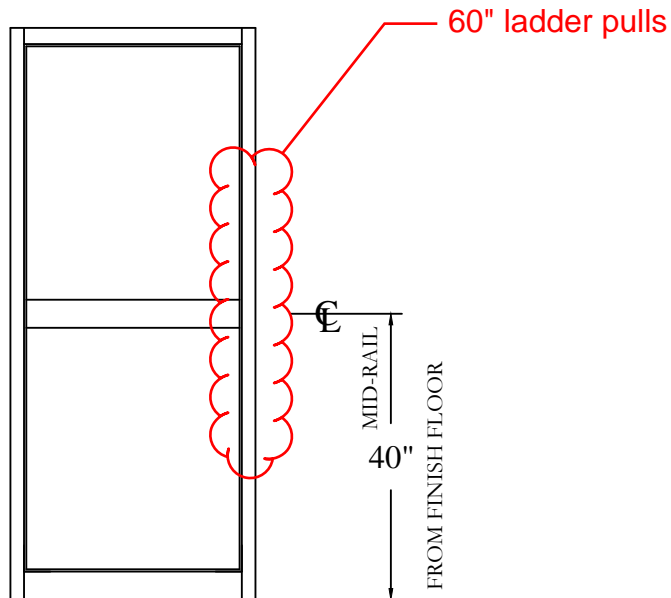
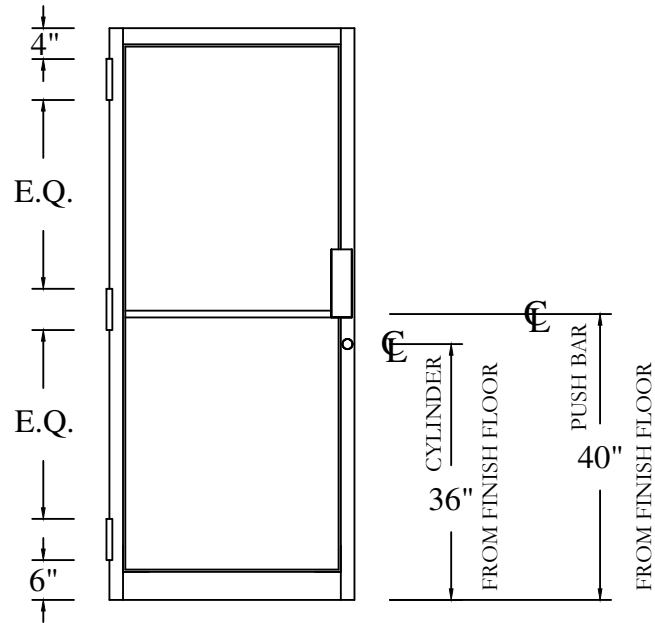
WINDSPEC INC.

MANUFACTURERS OF HIGH PERFORMANCE 'WINDSPEC' WINDOWS
ALUMINUM ENTRANCE SYSTEMS AND ARCHITECTURAL PANELS
1310 CREDITSTONE RD, CONCORD, ONTARIO L4K 5T7
Telephone (905) 738 -8311 Fax (905) 738 - 6188

OCTOBER 2017

STANDARD DOOR

STANDARD HARDWARE LOCATIONS



WINDSPEC INC.
 MANUFACTURERS OF HIGH PERFORMANCE 'WINDSPEC' WINDOWS
 ALUMINUM ENTRANCE SYSTEMS AND ARCHITECTURAL PANELS
 1310 CREDITSTONE RD, CONCORD, ONTARIO L4K 5T7
 Telephone (905) 738 -8311 Fax (905) 738 - 6188

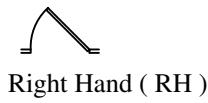
OCTOBER 2017

STANDARD DOOR

DOOR HANDING DESIGNATION



Open In



Right Hand (RH)



Left Hand (LH)



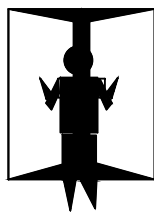
Open Out



Right Hand Reverse
(RHR)



Left Hand Reverse
(LHR)



Pair In (PI)



Pair Out (PO)

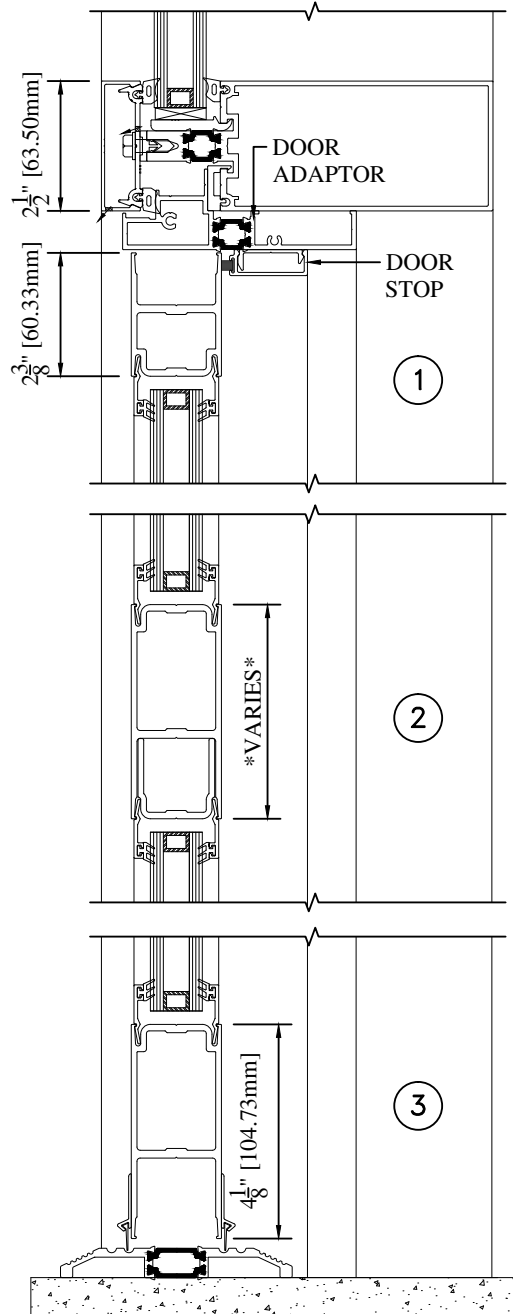
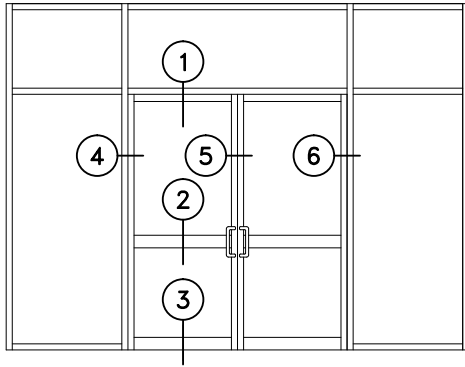


WINDSPEC INC.
MANUFACTURERS OF HIGH PERFORMANCE 'WINDSPEC' WINDOWS
ALUMINUM ENTRANCE SYSTEMS AND ARCHITECTURAL PANELS
1310 CREDITSTONE RD, CONCORD, ONTARIO L4K 5T7
Telephone (905) 738 -8311 Fax (905) 738 - 6188

OCTOBER 2017

STANDARD DOOR

NARROW STILE IN HTP 5500

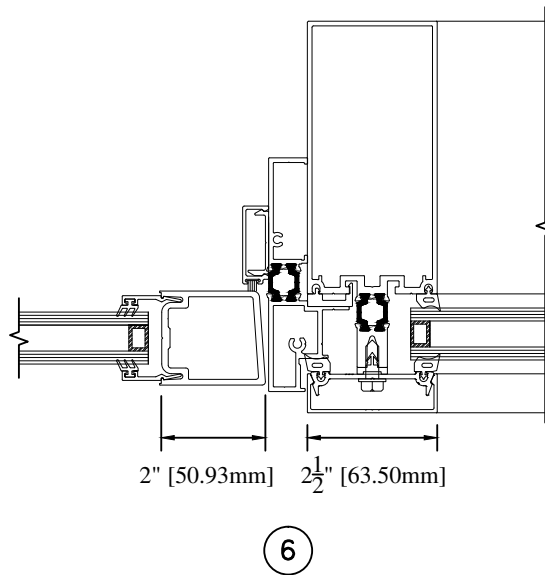
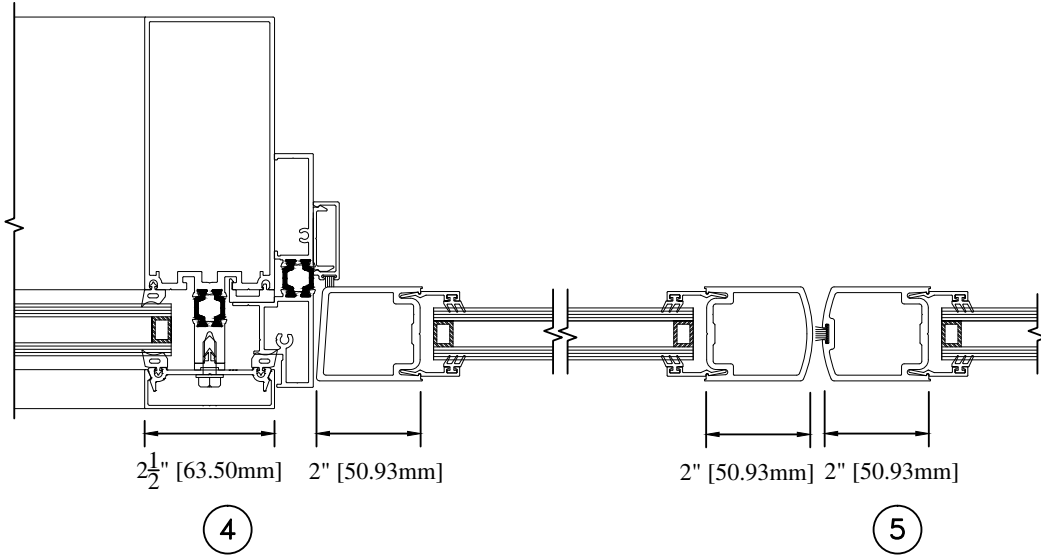


WINDSPEC INC.
 MANUFACTURERS OF HIGH PERFORMANCE 'WINDSPEC' WINDOWS
 ALUMINUM ENTRANCE SYSTEMS AND ARCHITECTURAL PANELS
 1310 CREDITSTONE RD, CONCORD, ONTARIO L4K 5T7
 Telephone (905) 738 -8311 Fax (905) 738 - 6188

OCTOBER 2017

STANDARD DOOR

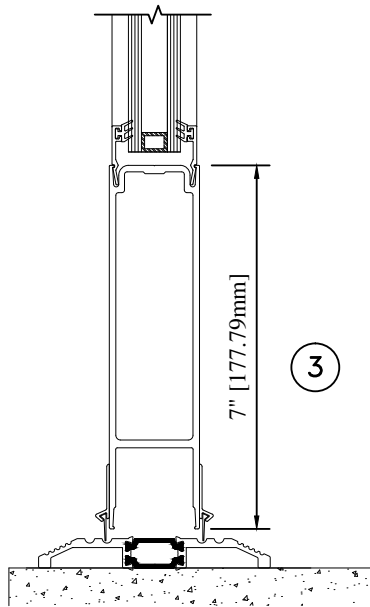
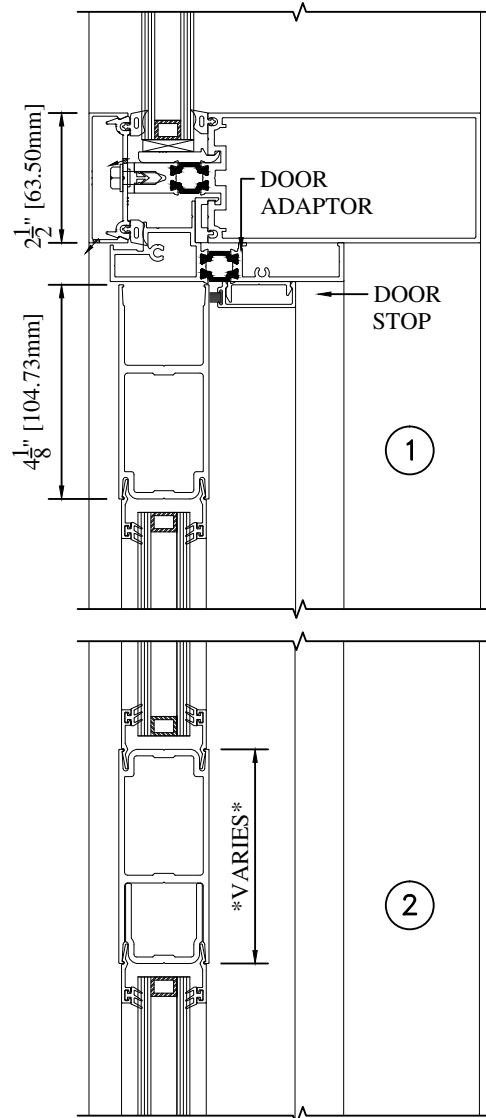
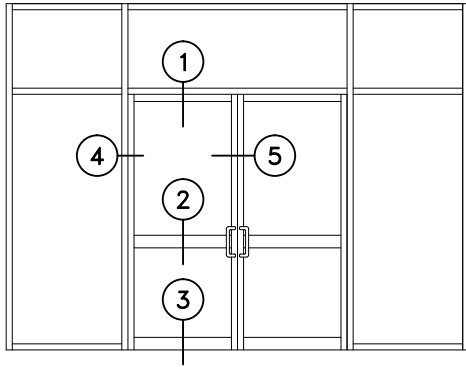
NARROW STILE IN HTP 5500



WINDSPEC INC.
 MANUFACTURERS OF HIGH PERFORMANCE 'WINDSPEC' WINDOWS
 ALUMINUM ENTRANCE SYSTEMS AND ARCHITECTURAL PANELS
 1310 CREDITSTONE RD, CONCORD, ONTARIO L4K 5T7
 Telephone (905) 738-8311 Fax (905) 738-6188

OCTOBER 2017

STANDARD DOOR
MEDIUM STILE IN HTP 5500

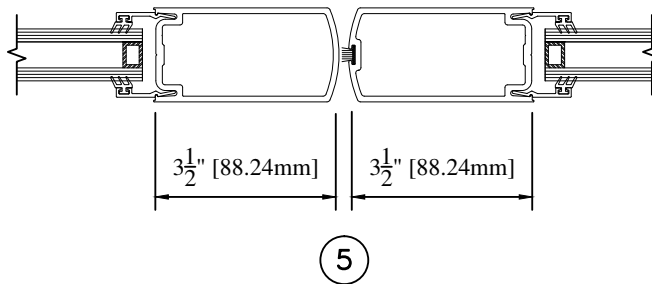
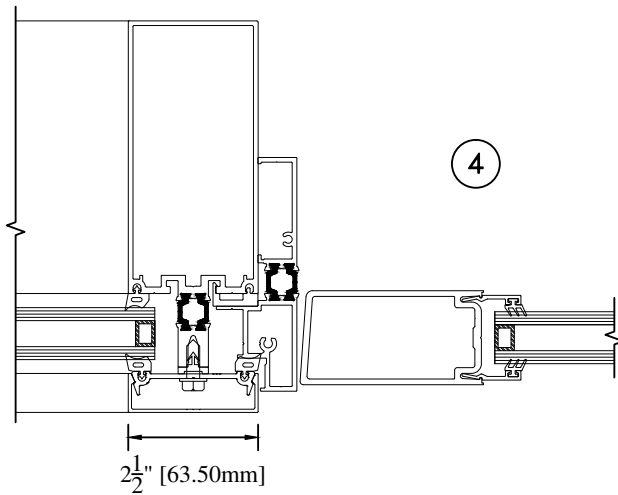


WINDSPEC INC.
MANUFACTURERS OF HIGH PERFORMANCE 'WINDSPEC' WINDOWS
ALUMINUM ENTRANCE SYSTEMS AND ARCHITECTURAL PANELS
1310 CREDITSTONE RD, CONCORD, ONTARIO L4K 5T7
Telephone (905) 738 -8311 Fax (905) 738 - 6188

OCTOBER 2017

STANDARD DOOR

MEDIUM STILE IN HTP 5500



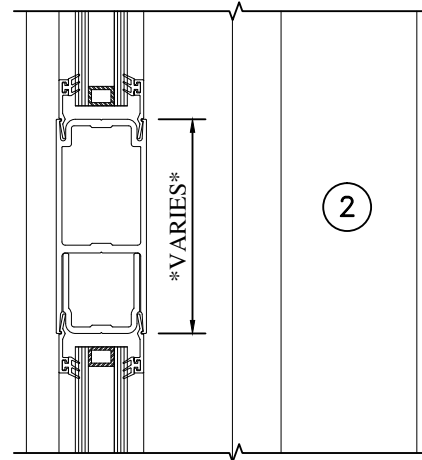
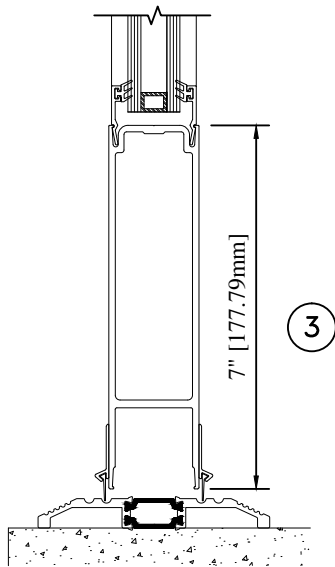
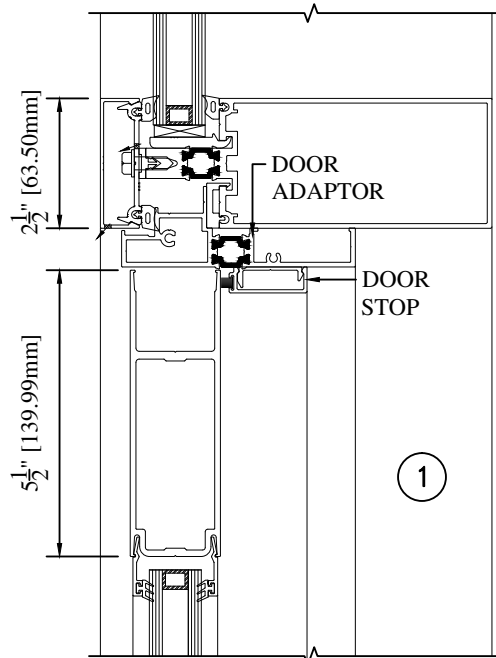
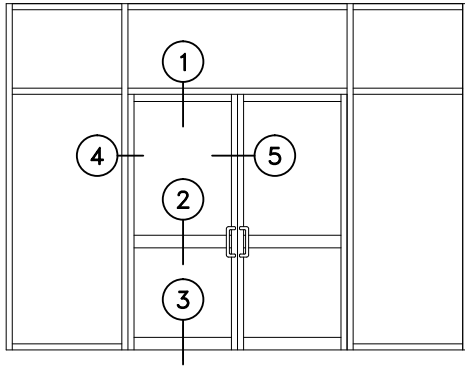
WINDSPEC INC.

MANUFACTURERS OF HIGH PERFORMANCE 'WINDSPEC' WINDOWS
ALUMINUM ENTRANCE SYSTEMS AND ARCHITECTURAL PANELS
1310 CREDITSTONE RD, CONCORD, ONTARIO L4K 5T7
Telephone (905) 738 -8311 Fax (905) 738 - 6188

OCTOBER 2017

STANDARD DOOR

WIDE STILE IN HTP 5500

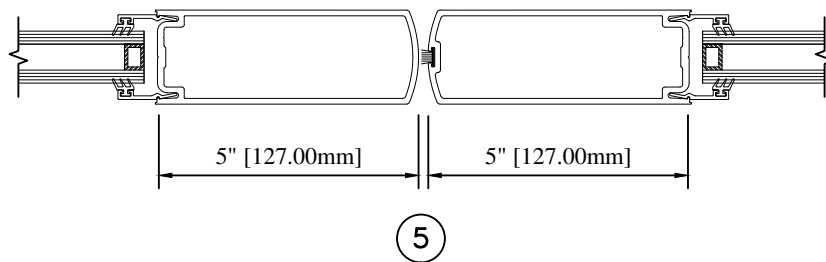
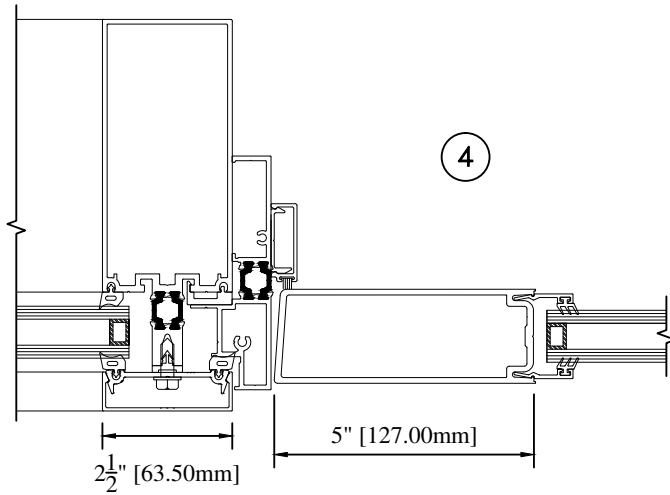


WINDSPEC INC.
 MANUFACTURERS OF HIGH PERFORMANCE 'WINDSPEC' WINDOWS
 ALUMINUM ENTRANCE SYSTEMS AND ARCHITECTURAL PANELS
 1310 CREDITSTONE RD, CONCORD, ONTARIO L4K 5T7
 Telephone (905) 738 -8311 Fax (905) 738 - 6188

OCTOBER 2017

STANDARD DOOR

WIDE STILE IN HTP 5500

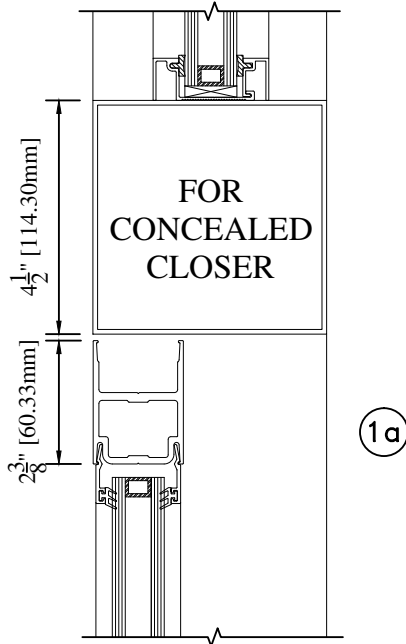
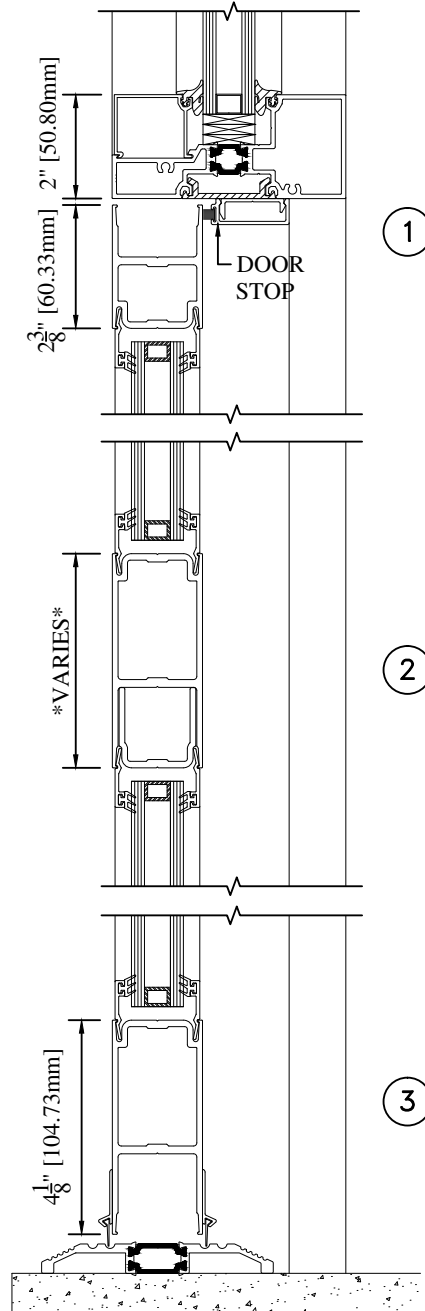
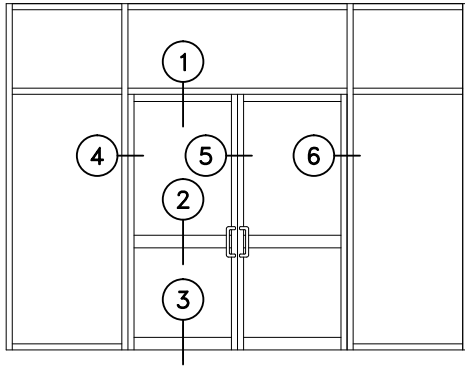


WINDSPEC INC.
 MANUFACTURERS OF HIGH PERFORMANCE 'WINDSPEC' WINDOWS
 ALUMINUM ENTRANCE SYSTEMS AND ARCHITECTURAL PANELS
 1310 CREDITSTONE RD, CONCORD, ONTARIO L4K 5T7
 Telephone (905) 738 -8311 Fax (905) 738 - 6188

OCTOBER 2017

STANDARD DOOR

NARROW STILE IN 655 SERIES

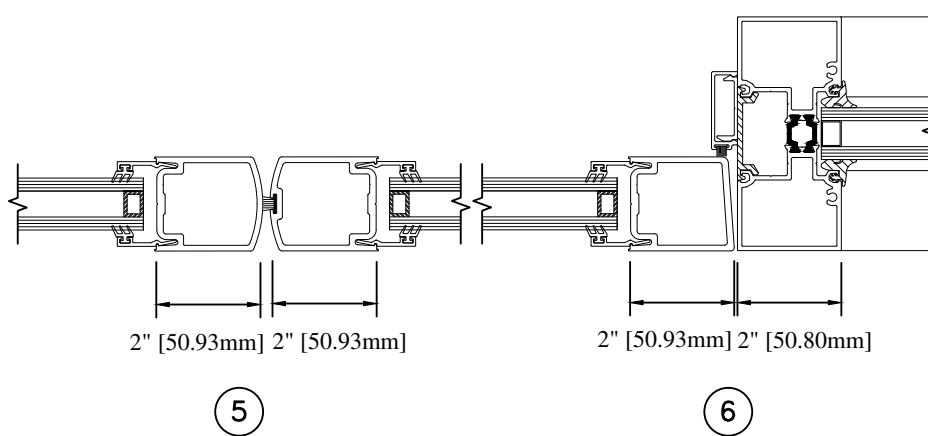
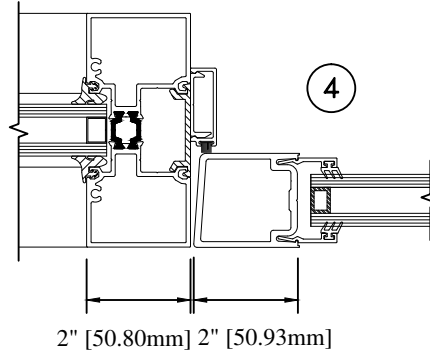


WINDSPEC INC.
 MANUFACTURERS OF HIGH PERFORMANCE 'WINDSPEC' WINDOWS
 ALUMINUM ENTRANCE SYSTEMS AND ARCHITECTURAL PANELS
 1310 CREDITSTONE RD, CONCORD, ONTARIO L4K 5T7
 Telephone (905) 738 -8311 Fax (905) 738 - 6188

OCTOBER 2017

STANDARD DOOR

NARROW STILE IN 655 SERIES

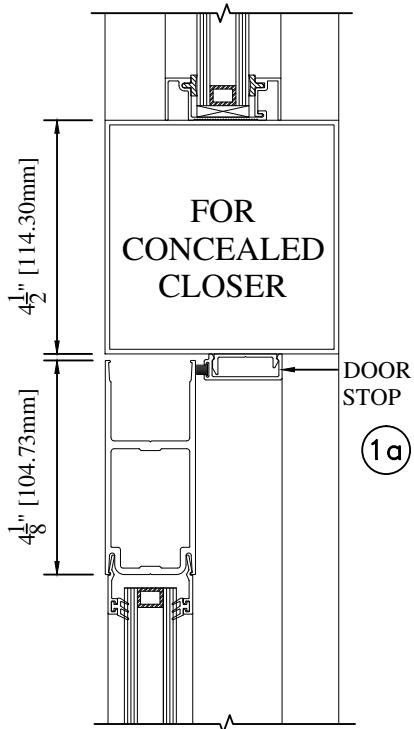
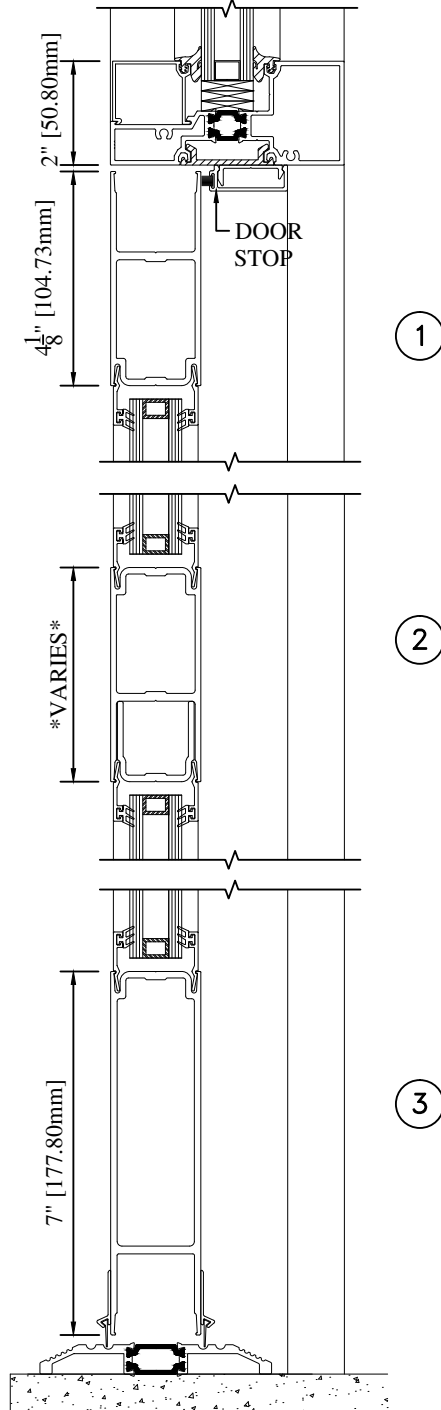
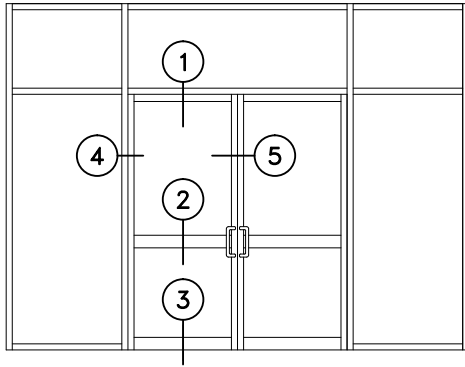


WINDSPEC INC.
 MANUFACTURERS OF HIGH PERFORMANCE 'WINDSPEC' WINDOWS
 ALUMINUM ENTRANCE SYSTEMS AND ARCHITECTURAL PANELS
 1310 CREDITSTONE RD, CONCORD, ONTARIO L4K 5T7
 Telephone (905) 738 -8311 Fax (905) 738 - 6188

OCTOBER 2017

STANDARD DOOR

MEDIUM STILE IN 655 SERIES

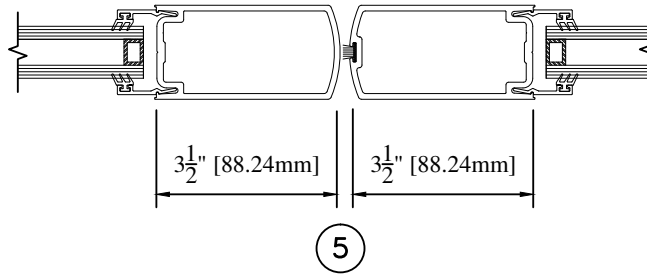
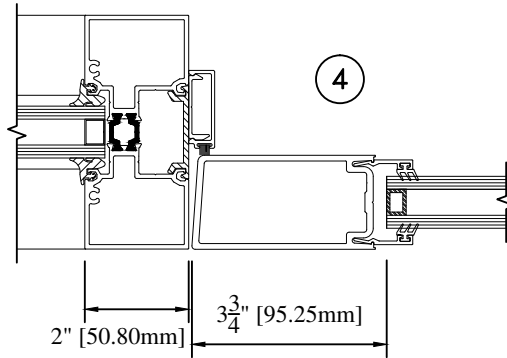


WINDSPEC INC.
 MANUFACTURERS OF HIGH PERFORMANCE 'WINDSPEC' WINDOWS
 ALUMINUM ENTRANCE SYSTEMS AND ARCHITECTURAL PANELS
 1310 CREDITSTONE RD, CONCORD, ONTARIO L4K 5T7
 Telephone (905) 738 -8311 Fax (905) 738 - 6188

OCTOBER 2017

STANDARD DOOR

MEDIUM STILE IN 655 SERIES

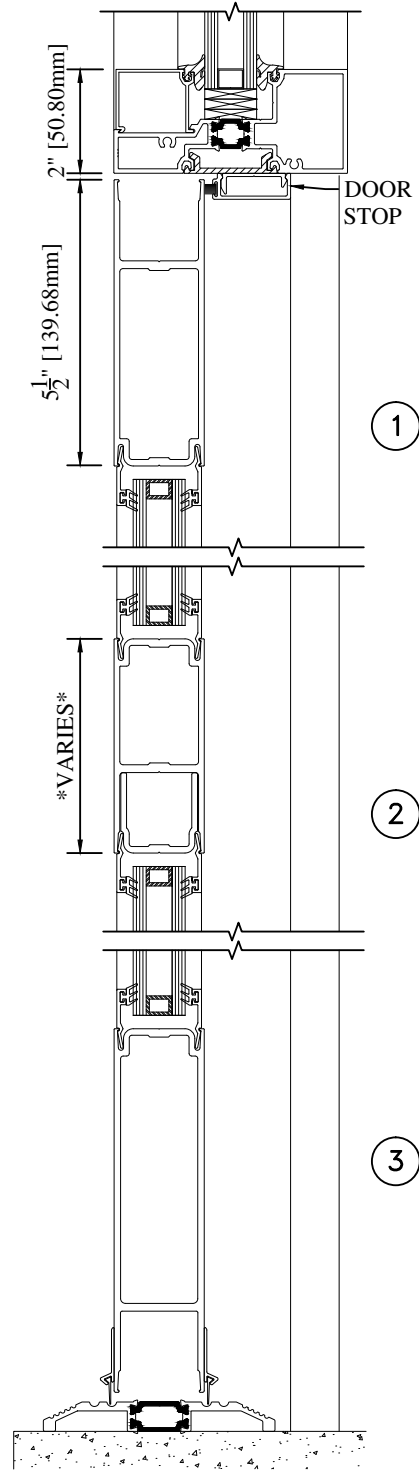
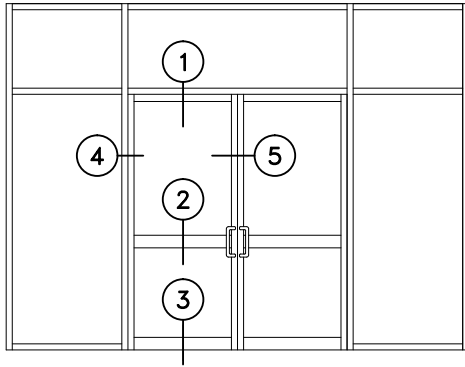


WINDSPEC INC.
 MANUFACTURERS OF HIGH PERFORMANCE 'WINDSPEC' WINDOWS
 ALUMINUM ENTRANCE SYSTEMS AND ARCHITECTURAL PANELS
 1310 CREDITSTONE RD, CONCORD, ONTARIO L4K 5T7
 Telephone (905) 738 -8311 Fax (905) 738 - 6188

OCTOBER 2017

STANDARD DOOR

WIDE STILE IN 655 SERIES

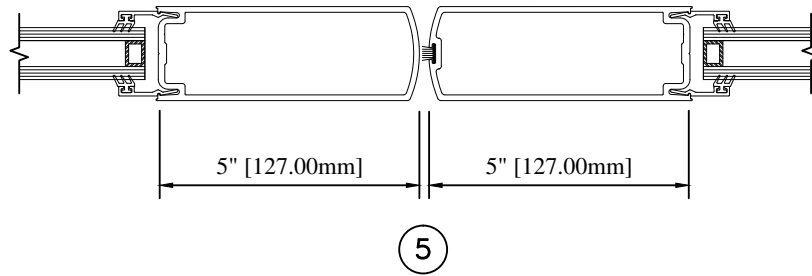
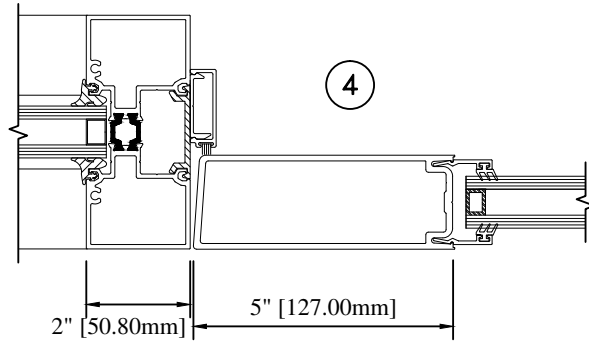


WINDSPEC INC.
 MANUFACTURERS OF HIGH PERFORMANCE 'WINDSPEC' WINDOWS
 ALUMINUM ENTRANCE SYSTEMS AND ARCHITECTURAL PANELS
 1310 CREDITSTONE RD, CONCORD, ONTARIO L4K 5T7
 Telephone (905) 738 -8311 Fax (905) 738 - 6188

OCTOBER 2017

STANDARD DOOR

WIDE STILE IN 655 SERIES

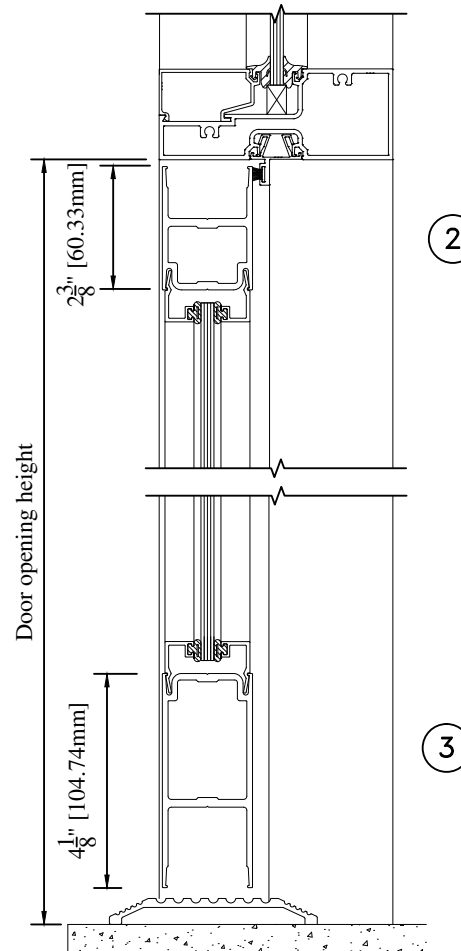
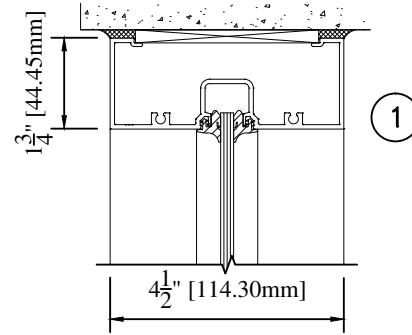
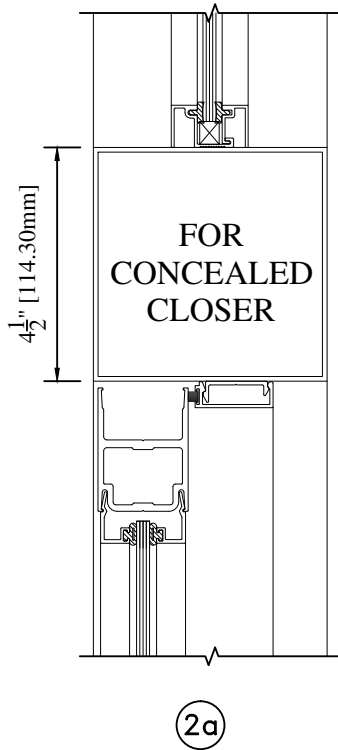
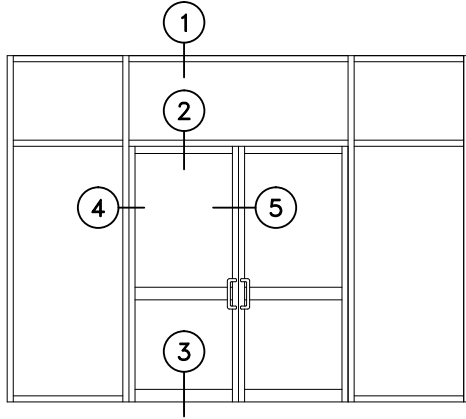


WINDSPEC INC.
 MANUFACTURERS OF HIGH PERFORMANCE 'WINDSPEC' WINDOWS
 ALUMINUM ENTRANCE SYSTEMS AND ARCHITECTURAL PANELS
 1310 CREDITSTONE RD, CONCORD, ONTARIO L4K 5T7
 Telephone (905) 738 -8311 Fax (905) 738 - 6188

OCTOBER 2017

STANDARD DOOR

SINGLE GLAZED DOOR IN INTERIOR FRAMING

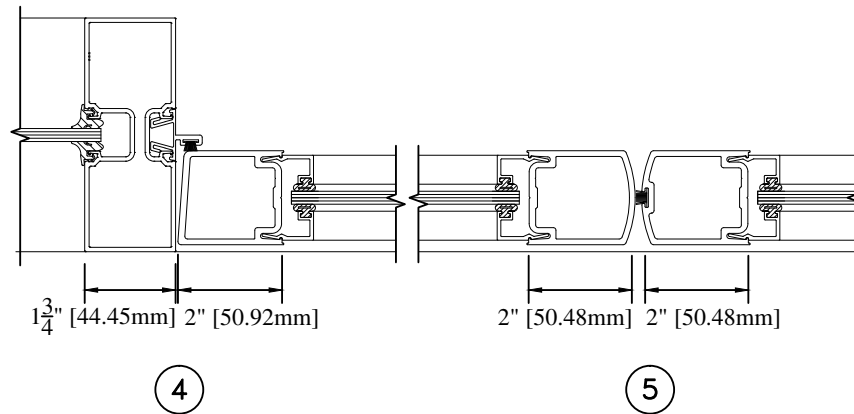


WINDSPEC INC.
 MANUFACTURERS OF HIGH PERFORMANCE 'WINDSPEC' WINDOWS
 ALUMINUM ENTRANCE SYSTEMS AND ARCHITECTURAL PANELS
 1310 CREDITSTONE RD, CONCORD, ONTARIO L4K 5T7
 Telephone (905) 738-8311 Fax (905) 738-6188

OCTOBER 2017

STANDARD DOOR

SINGLE GLAZED DOOR IN INTERIOR FRAMING



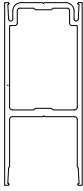
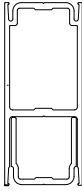
WINDSPEC INC.

MANUFACTURERS OF HIGH PERFORMANCE 'WINDSPEC' WINDOWS
ALUMINUM ENTRANCE SYSTEMS AND ARCHITECTURAL PANELS
1310 CREDITSTONE RD, CONCORD, ONTARIO L4K 5T7
Telephone (905) 738 -8311 Fax (905) 738 - 6188

OCTOBER 2017

STANDARD DOOR

TOP RAILS, MID-RAILS & BOTTOM RAILS

Available Sizes	Top / Bottom Rails 	Intermediate Rails 
1"		*
1 $\frac{3}{4}$ "		*
2 $\frac{3}{8}$ "	*	*
4 $\frac{1}{8}$ "	*	*
5 $\frac{1}{2}$ "	*	*
7"	*	*
8"	*	*
10"	*	*
12"	*	*



WINDSPEC INC.

MANUFACTURERS OF HIGH PERFORMANCE 'WINDSPEC' WINDOWS
ALUMINUM ENTRANCE SYSTEMS AND ARCHITECTURAL PANELS
1310 CREDITSTONE RD, CONCORD, ONTARIO L4K 5T7
Telephone (905) 738-8311 Fax (905) 738-6188

OCTOBER 2017